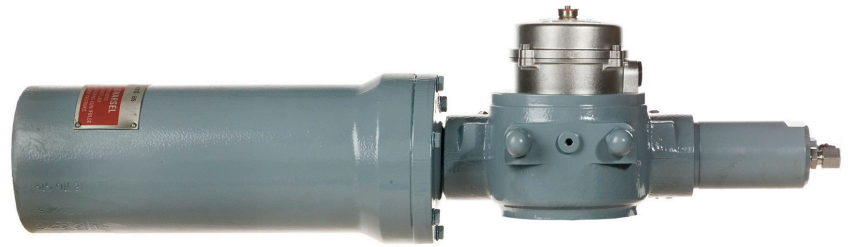


Hydraulic actuator, single acting

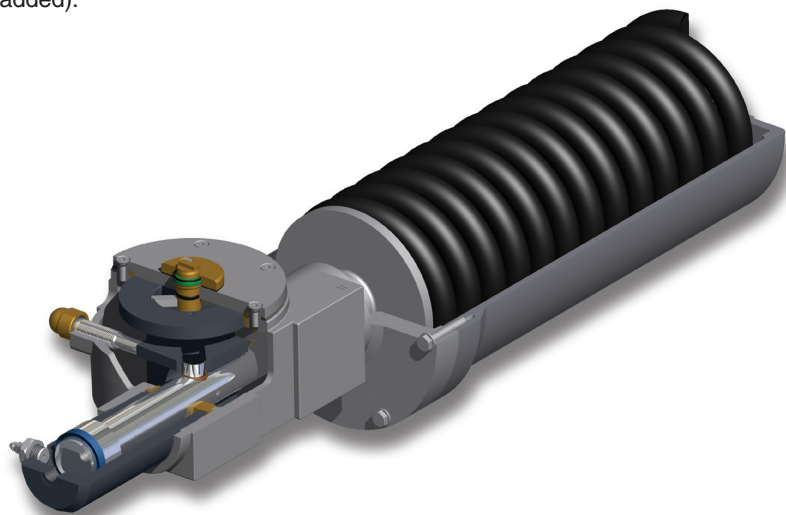
Type: 1/4 turn hydraulic actuator
 RE2 - Spring-to-close action
 RF2 - Spring-to-open action



- Scotch-yoke design, piston type
- Adjustable stroke
- Local visual position indicator
- Stationary hand pump or quick connectors for portable hand pump
- Connection flange according to ISO 5211

Available torque up to 17800 Nm (Larger actuators on request)
 Service temperature -45°C to +120°C

Use area: For dry and submerged purpose (for submerged type "SBM" a seal connection kit is added).



Materials

PART NAME	MATERIAL
CENTRAL BODY, DRIVE FORK	NODULAR CAST IRON
CYLINDER	NODULAR CAST IRON/ CARBON STEEL
SPRING HOUSE	NODULAR CAST IRON/ CARBON STEEL
HELICOIL SPRING	SPRING WIRE
TOP COVER	CARBON STEEL
PISTON ROD	CHROME PLATED CARBON STEEL
CROSS PIN	TEMPERED STEEL
END ADJUSTMENT SCREW, CAP NUT	STAINLESS STEEL
PISTON SEALINGS	POLYURETHANE/ PTFE
O-RINGS	NITRILE/ VITON
SCREWS, NUTS AND WASHERS	STAINLESS STEEL

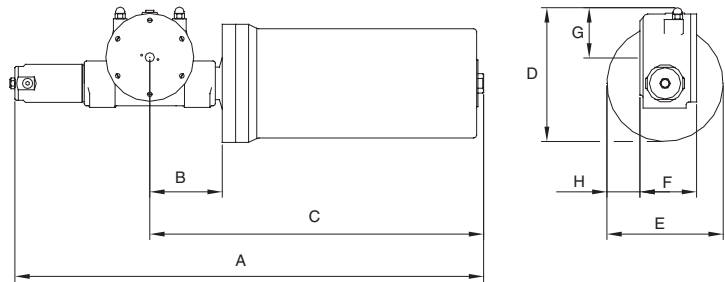
Output torques

ACTUATOR TYPE NO.

OUTPUT TORQUE (NM)

	AT 100 BAR		AT 130 BAR		AT 180 BAR	
	BREAK	SPRING END	BREAK	SPRING END	BREAK	SPRING END
RE2 - SPRING-TO-CLOSE	RX2.. H5 5 B		RX2.. H7 1 B		RX2.. H5 1 B	
RF2 - SPRING-TO-OPEN	RX2.. H5 5 B		RX2.. H7 1 B		RX2.. H5 1 B	
RX2 05 H.. B	69	69	153	105	143	105
RX2 07 H.. B	163	131	287	224	305	224
RX2 10 H.. B	315	275	712	391	669	391
RX2 12 H.. B	572	538	1173	903	1094	903
RX2 14 H.. B	1154	1052	2253	1810	2160	1810
RX2 16 H5 5 B	2833	1848				
RX2 16 H.. B	3794	3600	4184	3600	4913	3600
RX2 25 H.. B	6856	7329	8269	7329	8997	7329
RX2 30 H.. B	15582	14514	17809	14514	16572	14514
RX2 35 H.. B	--	--	37500	28500	38000	28500
RX2 40 H.. B	--	--	71000	56800	74500	56800

Dimensions



ACTUATOR TYPE

DIMENSIONS (MM)

WEIGHT (KG)

	A	B	C	D	E	F	G	H	
y=7: for 130 BAR									
y=5: for 180 BAR									
Rx2 05 Hy 1 B	500	98	334	170	146	94	73	33	14
Rx2 07 Hy 1 B	552	109	354	188	149	104	82	30	21
Rx2 10 Hy 1 B	740	122	518	223	162	114	102	42	42
Rx2 12 Hy 1 B	900	138	649	263	220	124	105	55	65
Rx2 14 Hy 1 B	1104	163	791	323	275	134	125	78	120
Rx2 16 Hy 1 B	1325	180	925	454	366	209	159	88	300
Rx2 25 Hy 1 B	2206	205	1714	490	366	244	174	68	410
Rx2 30 Hy 1 B	2383	255	1762	543	416	304	215	63	670

* Dimensions for size RX2 35 and RX2 40 upon request.



Scana Skarpenord AS, Såheimsveien 2, P.O. Box 3, N-3661 Rjukan, Norway
Tel: +47 35 09 18 00 - Fax: +47 35 09 18 01 - ssr@scana.no - www.skarpenord.com