

Hydraulic actuator

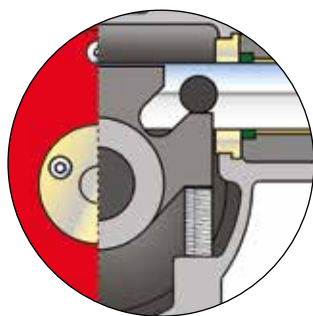
Double acting

Type: 1/4 turn hydraulic actuator
 RA2 - Mechanical locking
 RB2 - Adjustable stroke

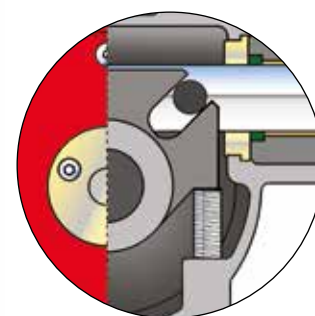
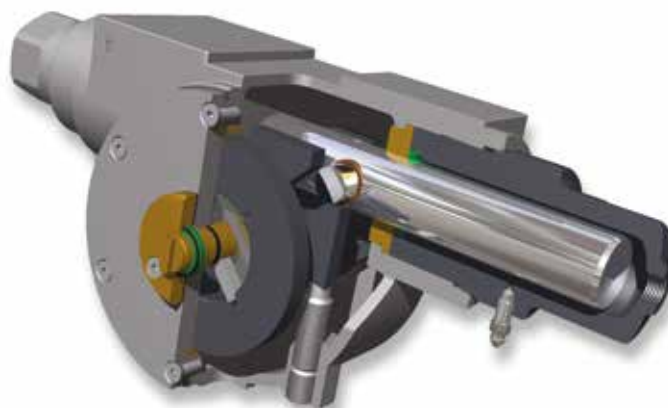
- Scotch-yoke design, piston type
- Local visual position indicator
- Manual operation by stationary hand pump or by portable hand pump via quick connectors
- Connection flange according to ISO 5211

Max hydraulic working pressure 220 bar
 Actuator torque range 69 - 64550 Nm
 Service temperature -45°C to +120°C

Use area: For dry and submerged purpose (for submerged type "SBM" a seal connection kit is added).



ACTUATOR WITH MECHANICAL LOCK



ACTUATOR WITH ADJUSTABLE STROKE

Materials

PART NAME	MATERIAL
CENTRAL BODY, DRIVE FORK	NODULAR CAST IRON
CYLINDER	NODULAR CAST IRON/ CARBON STEEL
TOP COVER	CARBON STEEL
PISTON ROD	CHROME PLATED CARBON STEEL
CROSS PIN	TEMPERED STEEL
END ADJUSTMENT SCREW, CAP NUT	STAINLESS STEEL
PISTON SEALINGS	POLYURETHANE
O-RINGS	NITRILE
SCREWS, NUTS AND WASHERS	STAINLESS STEEL

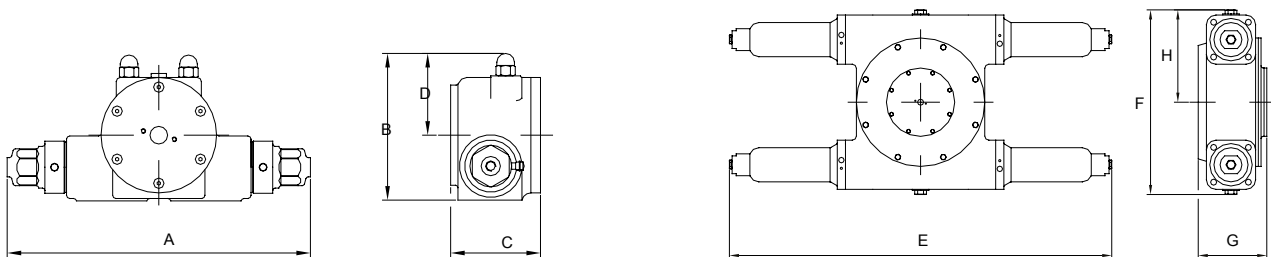
Output torques

ACTUATOR TYPE NO.

OUTPUT TORQUE (Nm)

RA2 - mechanical lock RB2 - adjustable stroke	at 100 bar		at 130 bar		at 180 bar	
	Break	Run	Break	Run	Break	Run
Rx2 05 H1 0 A	69	42	90	54	125	75
Rx2 07 H1 0 A	139	83	181	108	250	150
Rx2 10 H1 0 A	278	167	361	217	500	300
Rx2 12 H1 0 A	556	333	722	433	1000	600
Rx2 14 H1 0 A	1111	667	1444	867	2000	1200
Rx2 14 H3 0 B	1600	979	2080	1272	2880	1761
Rx2 16 H1 0 A	2222	1333	2886	1733	4000	2400
Rx2 16 H3 0 B	3100	1860	4035	2420	--	--
Rx2 25 H1 0 A	4444	2667	5778	3467	8000	4800
Rx2 25 H3 0 B	6249	3749	8120	4870	--	--
Rx2 30 H1 0 A	8889	5333	11556	6933	16000	9600
Rx2 30 H3 0 B	12099	7259	15727	9437	--	--
Rx2 35 H1 0 A	17778	10667	23111	13867	32000	19200
Rx2 35 H3 0 B	24606	14764	31988	19193	--	--
Rx2 40 H1 0 A	35556	21333	46222	27733	64000	38400
Rx2 40 H3 0 B	49660	29796	64550	38735	--	--

Dimensions



ACTUATOR TYPE

DIMENSIONS (mm)

WEIGHT (Kg)

ACTUATOR TYPE	A	B	C	D	WEIGHT (Kg)
	Rx2 05 H1 0 A	262	132	94	
Rx2 07 H1 0 A	326	150	102	82	8,5
Rx2 10 H1 0 A	378	184	114	102	14
Rx2 12 H1 0 A	435	202	124	105	22
Rx2 14 H1 0 A	542	240	134	121	33
Rx2 14 H3 0 B	650	239	134	120	35
Rx2 16 H1 0 A	744	306	204	147	80
Rx2 16 H3 0 B	842	325	209	147	95
Rx2 25 H1 0 A	880	367	244	174	147
Rx2 25 H3 0 B	984	383	244	174	152
Rx2 30 H1 0 A	1004	450	304	215	280
Rx2 30 H3 0 B	1240	480	304	215	285
	E	F	G	H	
Rx2 35 H1 0 A	1390	672	251	336	383
Rx2 35 H3 0 B	1382	683	258	344	395
Rx2 40 H1 0 A	1620	808	301	404	642
Rx2 40 H3 0 B	1740	540	301	415	642