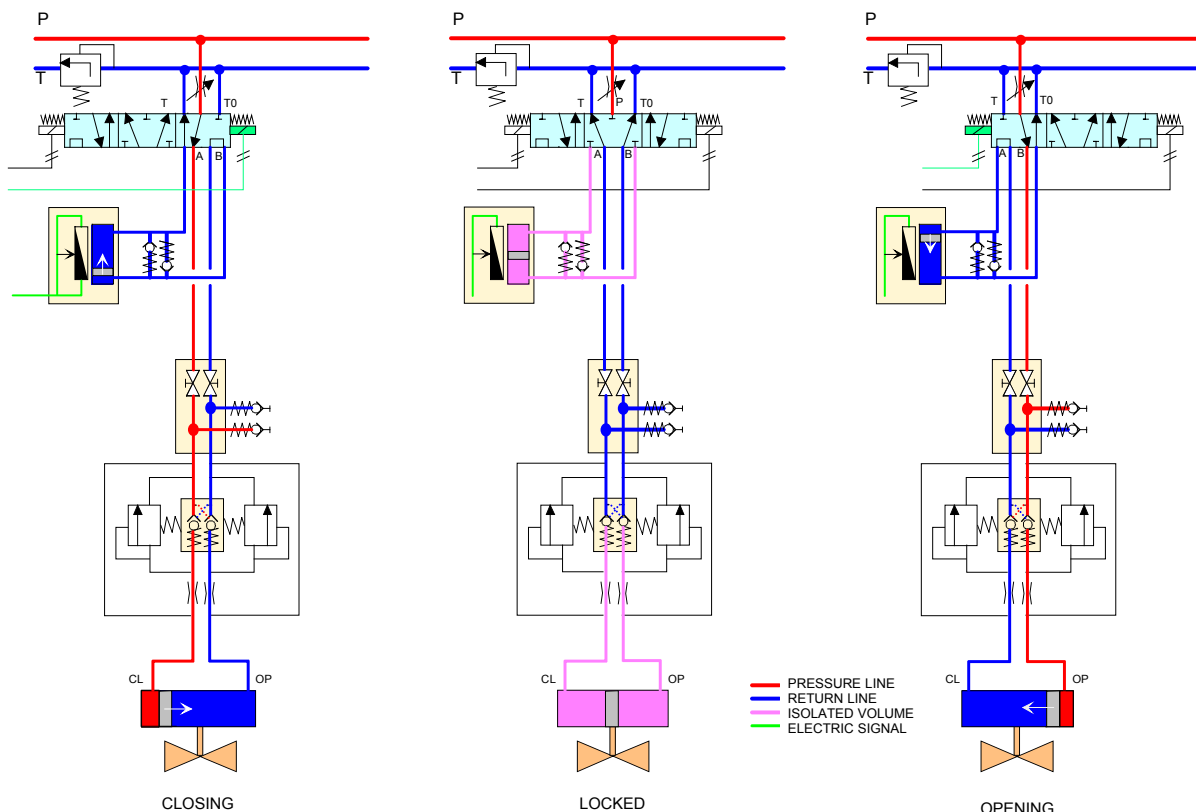


# Control Circuit D36

## Indirect Volumetric indication Temperature and pressure independent



### Throttle control, fail to set. Indirect indication. Pressure and temperature independent.

Control via spring loaded directional valve, 6/3 type, activated by two solenoids operated by electric signals. Upon release of electric signal to the solenoid, the pressure in the lines from the actuators is drained to tank.

A hydrolock with built in relief valves is mounted on the actuator, and maintains the position of the valve when the control lines are drained. The relief valve prevents accumulation of high pressure in the actuator lines due to temperature changes.

Continuous indication of the valve position is achieved by a potentiometer connected to a piston type volumetric indicator mounted in the solenoid valve cabinet. The volumetric indicator has a visual indicator in front for local indication of the valve position.

The volumetric indicator is connected to the return line from actuator, and not exposed to variations in pressure. When the circuit is not activated, the indicator is isolated from the lines, and not influenced by volume variations due to pressure changes. If the volumetric indicator for some reason is not synchronised with the actuator, the indicator will automatically be synchronised with the actuator each time the valve is operated from one end position to the other.