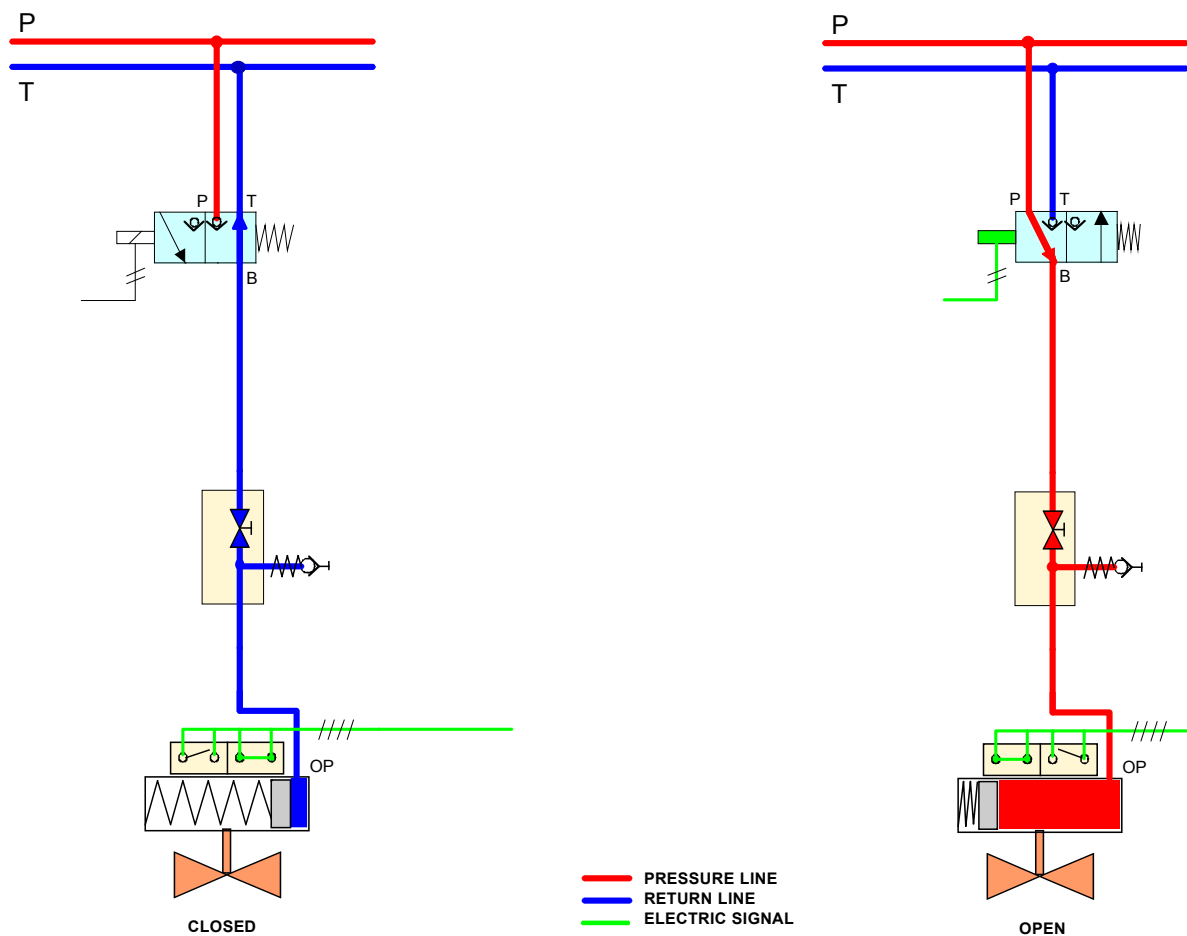


Control Circuit S21 E

Direct indication Open/Close



Open/Close control, fail to Close (or open). Direct indication.

Control via spring loaded directional valve, 4/2 poppet valve type, activated by one solenoid operated by electric signal.

Open/Close indication by two limit switches mounted in stainless steel housing, protection grade IP68, mounted directly on the actuator.