

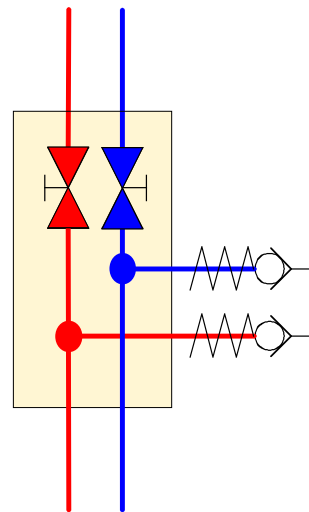
Emergency connection blocks

Connection block with blocking valves and quick connectors for portable hand pump.

Standard material: Seawater resistant brass (optional AISI 316).

For in-line mounting

- Mounted in hydraulic lines, on deck etc.
- For submerged actuators or for actuators where connection of portable hand pump is not suitable.



For actuator mounting

- Mounted on the actuator when accessible for connection of portable hand pump.

