

Valve position indication

Visual indicator mounted on actuator

- Directly mechanically linked to the valve stem
- Indicator follows movement of valve disc
- Exposed parts available in brass or stainless steel
- Available with indicator flag of stainless steel



Direct indication - position indicator box mounted on actuator

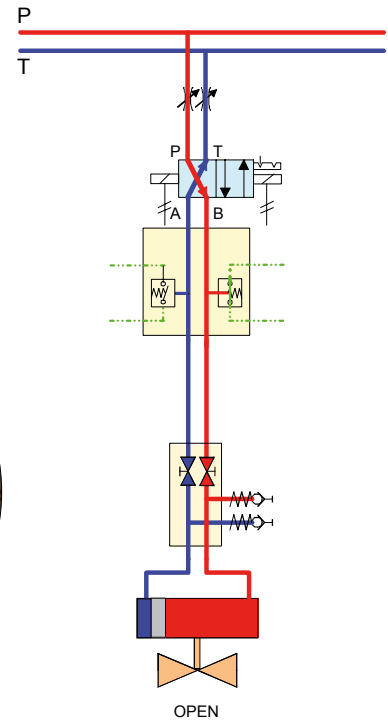
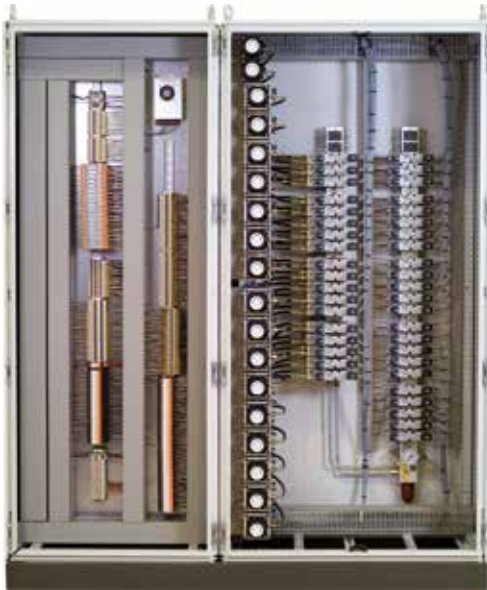
- Box of stainless steel AISI 316
- Protection grade IP68
- Two microswitches with potential free contacts or inductive contacts
- Potentiometer or position indicator with signal converter 4-20 mA
- Visual indicator on top of the box mechanically linked to the valve stem
- Available with indicator flag of stainless steel



Indirect Open/Close indication Flow switch indicator installed in Solenoid valve cabinet

Open/Close indication based on monitoring the flow in the lines to the actuator.
Positive feedback on actuator movement by indication of flow in return line.
No additional cabling to actuator needed.

See datasheet Control Circuit D22 and S22 for details.



Indirect continuous indication Volumetric indicator installed in Solenoid valve cabinet

Continuous indication by measuring the oil volume distributed to/from the actuator
by using a volumetric indicator.
Pressure and temperature independent.
No additional cabling needed.

See datasheet Control Circuit D36
for details.

